

# ECOLUM led

**MALIWANAG  
NA ABOT KAYA!**

**₱65  
LANG**



**CERTIFIED**  
Product Safety  
License No. Q-2207

**NOVEMBER 2019  
ECOLUM LED PRICE LIST**

(Prices and specifications are subject to change without prior notice)

**FIREFLY ELECTRIC & LIGHTING CORP.**

7/F Zen Offices Bldg. 1111 Natividad Lopez St., Ermita, Manila, Philippines

T: (02) 8789-1000 (Trunkline)

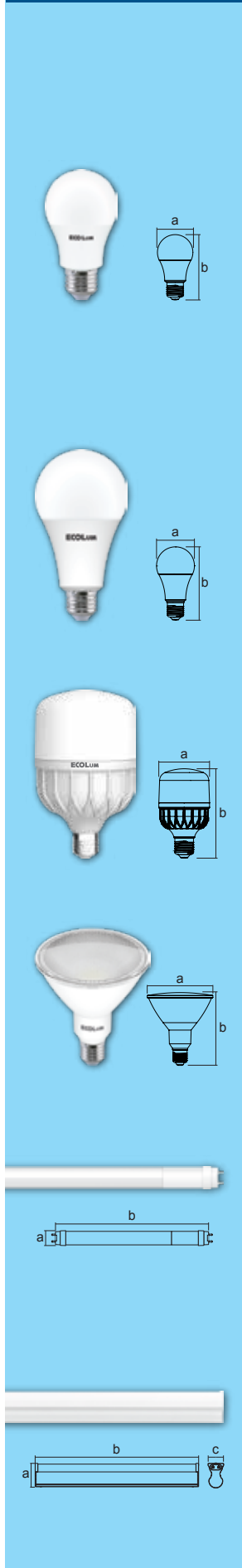
www.fireflyelectric.com

info@fireflyelectric.com

ECOLUM PH

Contact Person:

LED LAMPS	Wattage	Lumen Output	Color Temperature	Dimmable	Lamp Base	Dimensions	PKG.	Suggested Retail Price
Product Description	W	Lm	K	Yes/No		(a x b x c mm)	Pcs./Ctn.	SRP



**New!** LED Bulbs

8,000 H      110-240V Wide Voltage      200° Beam Angle      80 CRI

CBI203DL	3	250	6500 • Daylight	no	E27	45 x 85	50	65.00
CBI203WW	3	250	3000 • Warm White	no	E27	45 x 85	50	65.00
CBI205DL	5	450	6500 • Daylight	no	E27	55 x 100	50	75.00
CBI205WW	5	450	3000 • Warm White	no	E27	55 x 100	50	75.00
CBI207DL	7	600	6500 • Daylight	no	E27	55 x 100	50	88.00
CBI207WW	7	600	3000 • Warm White	no	E27	55 x 100	50	88.00
CBI209DL	9	800	6500 • Daylight	no	E27	60 x 115	50	98.00
CBI209WW	9	800	3000 • Warm White	no	E27	60 x 115	50	98.00
CBI211DL	11	1050	6500 • Daylight	no	E27	60 x 115	50	115.00
CBI211WW	11	1050	3000 • Warm White	no	E27	60 x 115	50	115.00
CBI213DL	13	1200	6500 • Daylight	no	E27	60 x 116	50	140.00
CBI213WW	13	1200	3000 • Warm White	no	E27	60 x 116	50	140.00
CBI215DL	15	1500	6500 • Daylight	no	E27	70 x 132	50	180.00
CBI215WW	15	1500	3000 • Warm White	no	E27	70 x 132	50	180.00

**New!** All Warm White LED Bulbs only.

LED Bulbs

15,000 H      170-240V Wide Voltage      200° Beam Angle      80 CRI

CBI217DL	17	1700	6500 • Daylight	no	E27	80 x 148.3	50	220.00
CBI219DL	19	2000	6500 • Daylight	no	E27	95 x 175.1	50	250.00

**New!** LED Capsule

10,000 H      170-240V Wide Voltage      200° Beam Angle      85 CRI

CHC1020DL	20	1800	6500 • Daylight	no	E27	70 x 123	60	250.00
CHC1030DL	30	3390	6500 • Daylight	no	E27	100 x 168	12	350.00
CHC1040DL	40	4240	6500 • Daylight	no	E27	118 x 194	12	480.00
CHC1050DL	50	5000	6500 • Daylight	no	E27	222 x 138	6	650.00

**New!** LED PAR38

25,000 H      100-240V Wide Voltage      40° Beam Angle      ≥80 CRI      IP44

CBP113DL	13	1235	6500 • Daylight	no	E27	94 x 92	24	455.00
----------	----	------	-----------------	----	-----	---------	----	--------

LED T8 Tube

10,000 H      100-240V Wide Voltage      220° Beam Angle

CFS01T8DL09	9	900	6500 • Daylight	no	G13	25.4 x 600	25	140.00 ↓
CFS01T8DL18	18	1800	6500 • Daylight	no	G13	25.4 x 1200	25	180.00 ↓

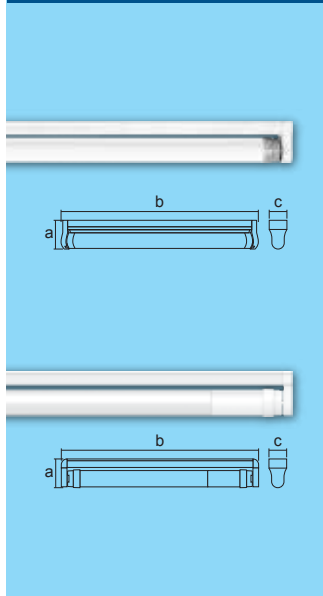
LED Starter Included

LED T5 Batten

15,000 H      100-240V Wide Voltage      150° Beam Angle      ≥80 CRI

CBTST5DL04	4	380	6500 • Daylight	no	N/A	35.4 X 310 X 23.9	20	165.00
CBTST5WW04	4	380	3000 • Warm White	no	N/A	35.4 X 310 X 23.9	20	165.00
CBTST5DL07	7	665	6500 • Daylight	no	N/A	35.4X 570 X 23.9	20	220.00
CBTST5WW07	7	665	3000 • Warm White	no	N/A	35.4 X 570 X 23.9	20	220.00
CBTST5DL14	14	1330	6500 • Daylight	no	N/A	35.4 X 1170 X 23.9	20	290.00
CBTST5WW14	14	1330	3000 • Warm White	no	N/A	35.4 X 1170 X 23.9	20	290.00

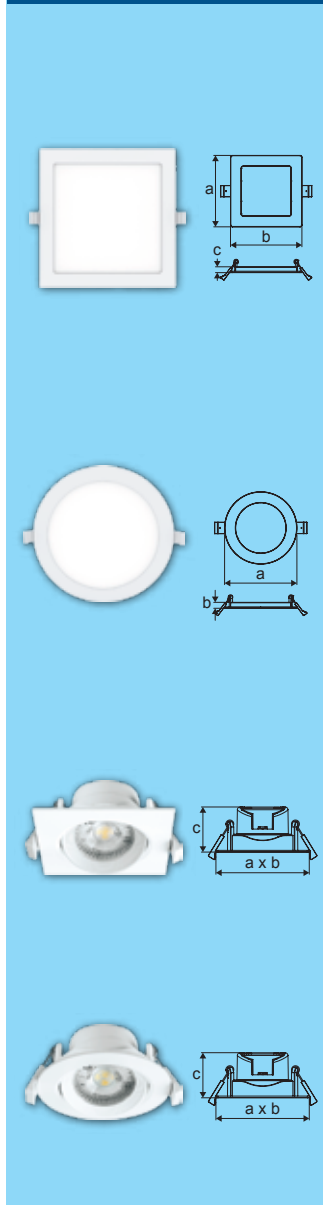
LED LAMPS	Wattage	Lumen Output	Color Temperature	Dimmable	Lamp Base	Dimensions	PKG.	Suggested Retail Price
Product Description	W	Lm	K	Yes/No		(a x b x c mm)	Pcs./Ctn.	SRP



LED T8 Tube & Box Type Set	10,000 H	220V Operating Voltage	200° Beam Angle					
ECBTS11/DL07	7	600	6500 • Daylight	no	G13	43 x 610 x 31	20	190.00 ↓
ECBTS11/DL16	16	1400	6500 • Daylight	no	G13	43 x 1220 x 31	20	250.00 ↑

LED T8 Tube & Box Type Set	10,000 H	100-240V Wide Voltage	220° Beam Angle					
CBTS11/DL09	9	900	6500 • Daylight	no	G13	43 x 610 x 31	20	210.00 ↓
CBTS11/DL18	18	1800	6500 • Daylight	no	G13	43 x 1220 x 31	20	270.00 ↓

LED DOWNLIGHTS	Wattage	Lumen Output	Color Temperature	Dimmable	Dimensions	Cut-out Size	PKG.	Suggested Retail Price
Product Description	W	Lm	K	Yes/No	(a x b x c mm)	mm	Pcs./Ctn.	SRP



<b>New!</b> LED Recessed Slim Downlight	10,000 H	100-240V Operating Voltage	120° Beam Angle					
CDL1106DL	6	450	6000 • Daylight	no	120 x 120 x 9.8	112 x 112	20	220.00
CDL1106WW	6	450	3000 • Warm White	no	120 x 120 x 9.8	112 x 112	20	220.00
CDL1112DL	12	1000	6000 • Daylight	no	170 x 170 x 9.8	162 x 162	20	350.00
CDL1112WW	12	1000	3000 • Warm White	no	170 x 170 x 9.8	162 x 162	20	350.00
CDL1118DL	18	1500	6500 • Daylight	no	225 x 225 x 9.9	213 x 213	20	480.00

**New:** All Warm White LED Downlights only.

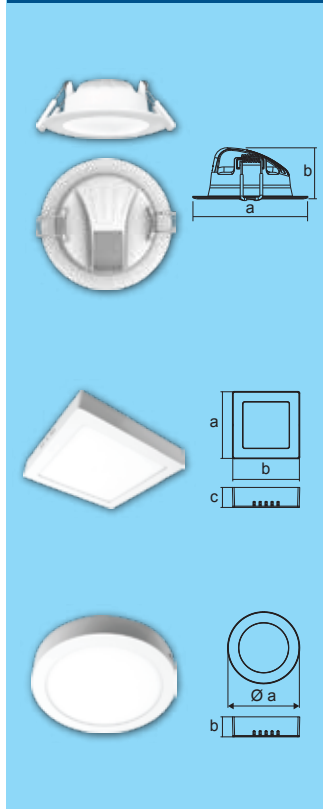
<b>New!</b> LED Recessed Slim Downlight	10,000 H	110-240V Wide Voltage	120° Beam Angle					
CDL2106DL	6	450	6000 • Daylight	no	∅ 120 x 9.8	∅ 112	20	220.00
CDL2106WW	6	450	3000 • Warm White	no	∅ 120 x 9.8	∅ 112	20	220.00
CDL2112DL	12	1000	6000 • Daylight	no	∅ 170 x 9.8	∅ 162	20	350.00
CDL2112WW	12	1000	3000 • Warm White	no	∅ 170 x 9.8	∅ 162	20	350.00
CDL2118DL	18	1500	6000 • Daylight	no	∅ 225 X 9.9	∅ 213	20	480.00

**New:** All Warm White LED Downlights only.

LED Tiltable Downlight	15,000 H	220-240V Operating Voltage	38° Beam Angle	≥80 CRI				
CDL1405DL	5	350	6500 • Daylight	no	90 x 90 x 43.4	72 - 80	60	170.00
CDL1407DL	7	500	6500 • Daylight	no	90 x 90 x 43.4	72 - 80	60	190.00

LED Tiltable Downlight	15,000 H	220-240V Operating Voltage	38° Beam Angle	≥80 CRI				
CDL2405DL	5	350	6500 • Daylight	no	∅ 90 x 43.4	∅ 72 - ∅ 80	60	170.00
CDL2407DL	7	500	6500 • Daylight	no	∅ 90 x 43.4	∅ 72 - ∅ 80	60	190.00

LED DOWNLIGHTS	Wattage	Lumen Output	Color Temperature	Dimmable	Dimensions	Cut-out Size	PKG.	Suggested Retail Price
Product Description	W	Lm	K	Yes/No	(a x b x c mm)	mm	Pcs./Ctn.	SRP

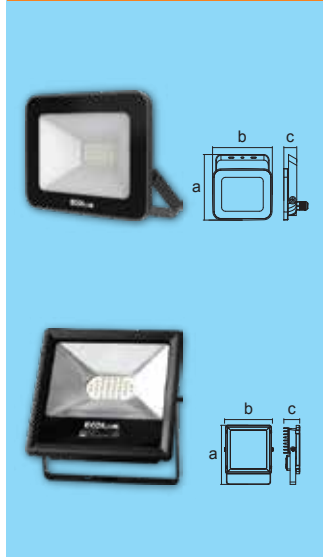


LED Shell Downlight	15,000 H	130-250V Wide Voltage	100° Beam Angle	80 CRI				
CDL222103DL	3	270	6500 • Daylight	no	Ø 95 x 40	Ø 80	80	150.00
CDL222105DL	5	450	6500 • Daylight	no	Ø 112 x 40	Ø 95	80	200.00
CDL222107DL	7	600	6500 • Daylight	no	Ø 150 x 42	Ø 135	60	270.00
CDL222109DL	9	800	6500 • Daylight	no	Ø 165 x 45	Ø 150	60	330.00
CDL222111DL	11	1000	6500 • Daylight	no	Ø 165 x 45	Ø 150	60	350.00
CDL222115DL	15	1200	6500 • Daylight	no	Ø 225 x 47	Ø 210	20	500.00

LED Surface Downlight	10,000 H	110-240V Wide Voltage	120° Beam Angle					
CDL1206DL	6	450	6000 • Daylight	no	120 x 120 x 36	N/A	20	300.00
CDL1212DL	12	1000	6000 • Daylight	no	170 x 170 x 36	N/A	20	420.00
CDL1218DL	18	1500	6000 • Daylight	no	225 x 225 x 39	N/A	20	650.00

LED Surface Downlight	10,000 H	110-240V Wide Voltage	120° Beam Angle					
CDL2206DL	6	450	6000 • Daylight	no	Ø 120 x 36	N/A	20	300.00
CDL2212DL	12	1000	6000 • Daylight	no	Ø 170 x 36	N/A	20	420.00
CDL2218DL	18	1500	6000 • Daylight	no	Ø 225 x 39	N/A	20	650.00

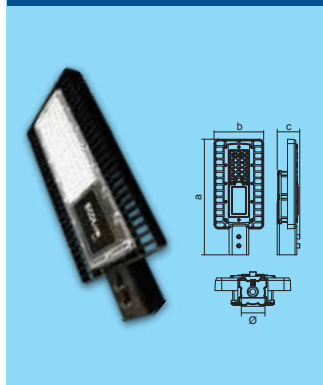
### LED FLOODLIGHT



LED Floodlight	20,000 H	100-240V Wide Voltage	110° Beam Angle	≥80 CRI	IP65 IP Rating			
CFL2010DL	10	900	6500 • Daylight	no	119 x 108 x 22	N/A	10	390.00 ↓
CFL2020DL	20	1600	6500 • Daylight	no	125 x 159 x 36	N/A	10	660.00 ↓
CFL2030DL	30	2500	6500 • Daylight	no	172 x 188 x 36	N/A	10	930.00 ↓
CFL2050DL	50	3500	6500 • Daylight	no	173 x 208 x 40	N/A	10	1,200.00 ↓

LED Floodlight	20,000 H	100-240V Wide Voltage	120° Beam Angle	IP65 IP Rating				
CFL1010DL	10	700	6500 • Daylight	no	159 x 129 x 43	N/A	12	410.00
CFL1030DL	30	2100	6500 • Daylight	no	203 x 184 x 50	N/A	12	1,000.00
CFL1050DL	50	3500	6500 • Daylight	no	242 x 180 x 53	N/A	12	1,290.00
CFL1070DL	70	4900	6500 • Daylight	no	272 x 210 x 55	N/A	12	2,070.00

LED STREETLIGHT	Wattage	Lumen Output	Color Temperature	Dimmable	Dimensions	Mounting Hole Size	PKG.	Suggested Retail Price
Product Description	W	Lm	K	Yes/No	(a x b x c mm)	mm	Pcs./Ctn.	SRP



New! LED Streetlight	25,000 H	85-265V Wide Voltage	Type II Beam Angle	≥80 CRI	IP65 IP Rating			
CSL1020DL	20	2000	6000 • Daylight	no	313 x 135 x 55.5	Ø 40	10	1900.00
CSL1030DL	30	3000	6000 • Daylight	no	362 x 139 x 55.5	Ø 40	10	2500.00
CSL1050DL	50	5000	6000 • Daylight	no	420 x 159 x 51.6	Ø 60	10	3000.00